

انظمة تحكم في اجهزة التكييف والتبريد عملي

م. محمد مؤمن جواعده

2024

User Interface

EKTS consists of two windows. Main window; used to draw electrical circuits, and the Library window; contains circuit elements. (Figure 3)

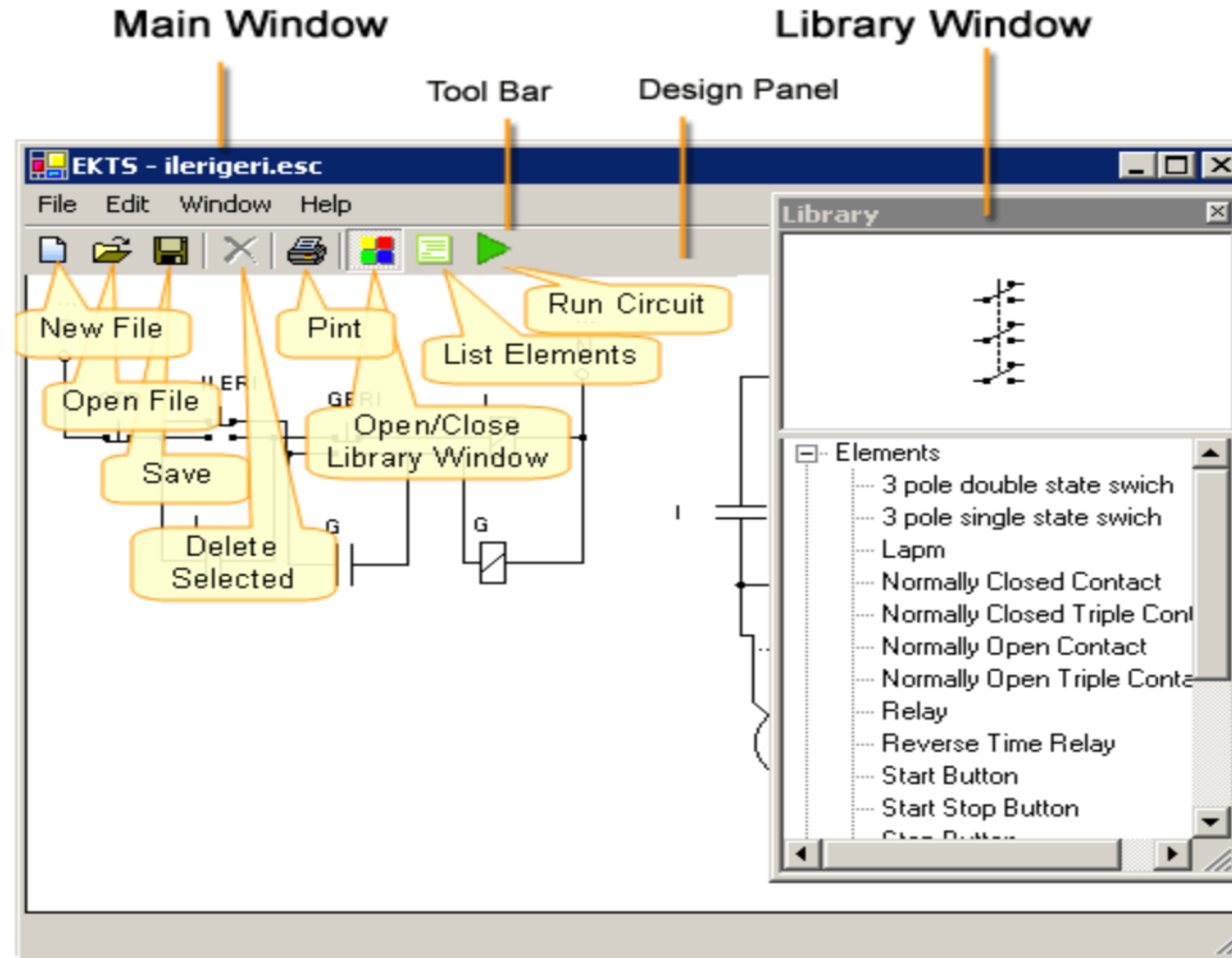


Figure 3: User interface

دائرة اييقاف وتشغيل (ON/OFF)

EKTS - New*

File Edit Window Help

Library

RST
↑↑↑

AC Power supplies

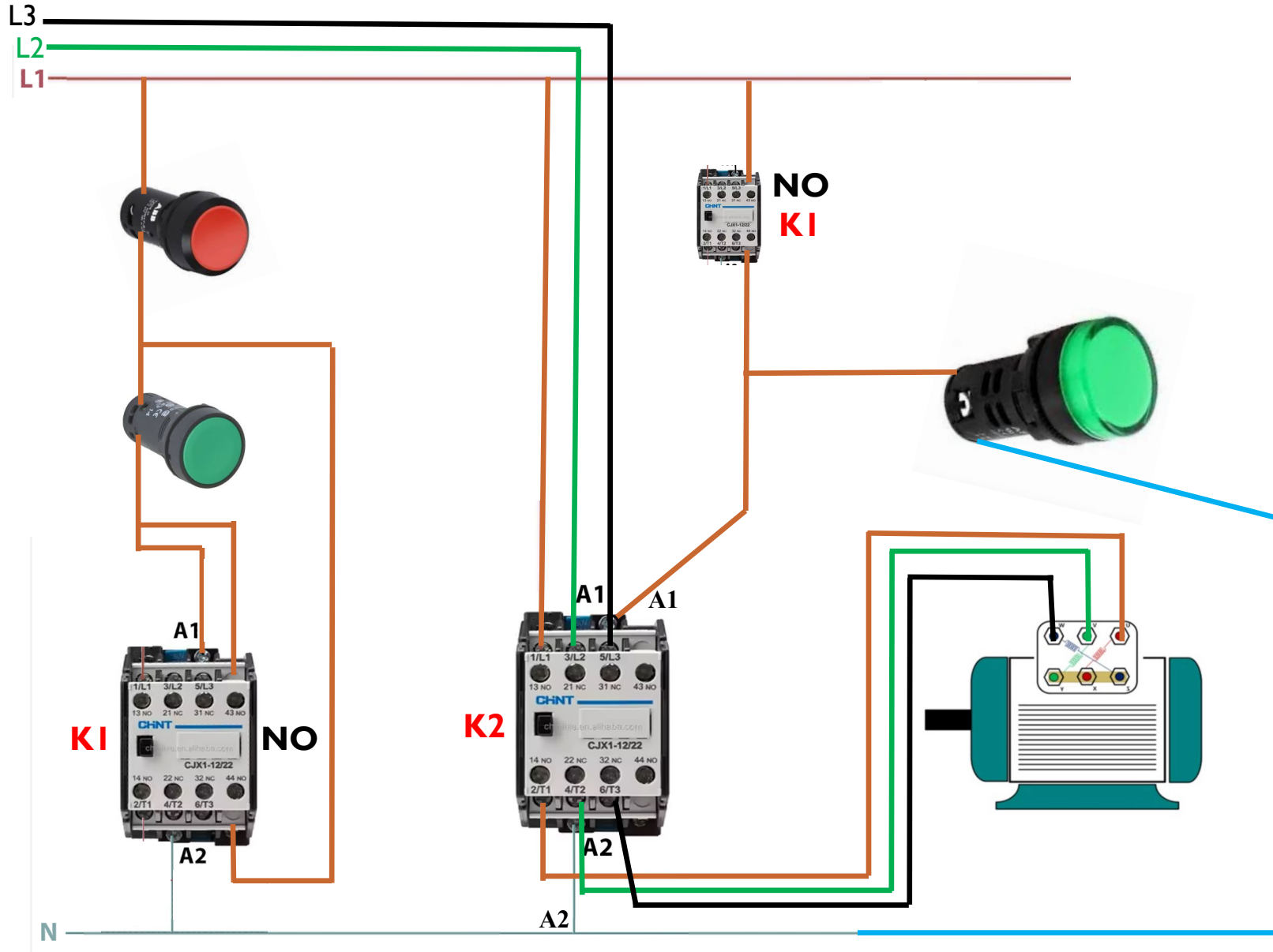
- 3-Phase Supply
- L1
- L2
- L3
- Neutral

Components

- 3 pole double state switch
- 3 pole single state switch
- Contactor
- Lamp
- Limit switch(single pole)
- Limit switch(two pole)
- Normally Closed Contact
- Normally Closed Triple Contact
- Normally Open Contact
- Normally Open Triple Contact
- Off-delay Time Relay
- On-delay Time Relay
- Start Button

The diagram illustrates a 3-phase control circuit. At the top, three terminals labeled R, S, and T represent the three-phase supply. These terminals are connected to a 3-pole switch labeled K1. The switch is controlled by two contacts: a normally open contact (K1) and a normally closed contact (K1). The circuit is connected to a lamp labeled N, which is connected to the neutral line.

دائرة ايقاف وتشغيل (ON/OFF) محرك 3-PH ولمبة اشارة



دائرة ايقاف وتشغيل (ON/OFF) محرك 3-PH ولمبة اشارة

