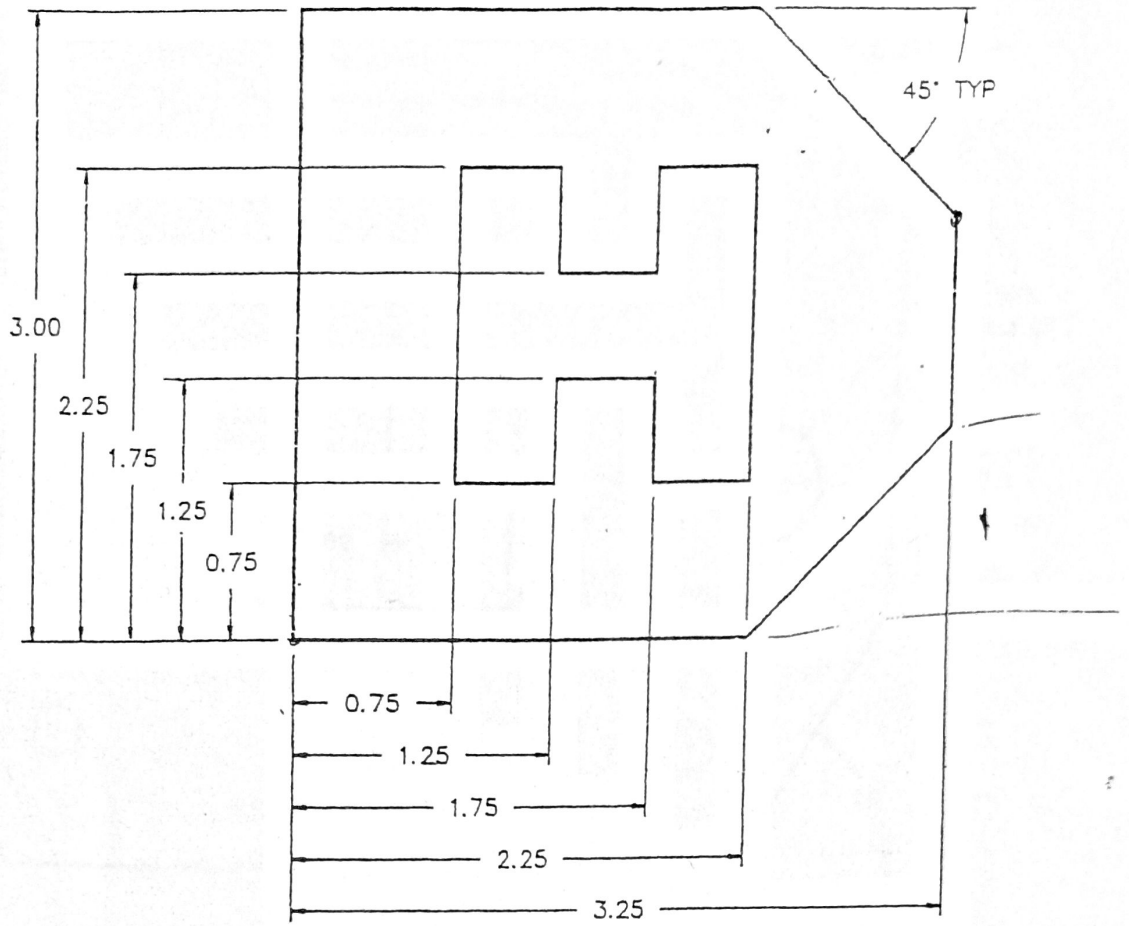
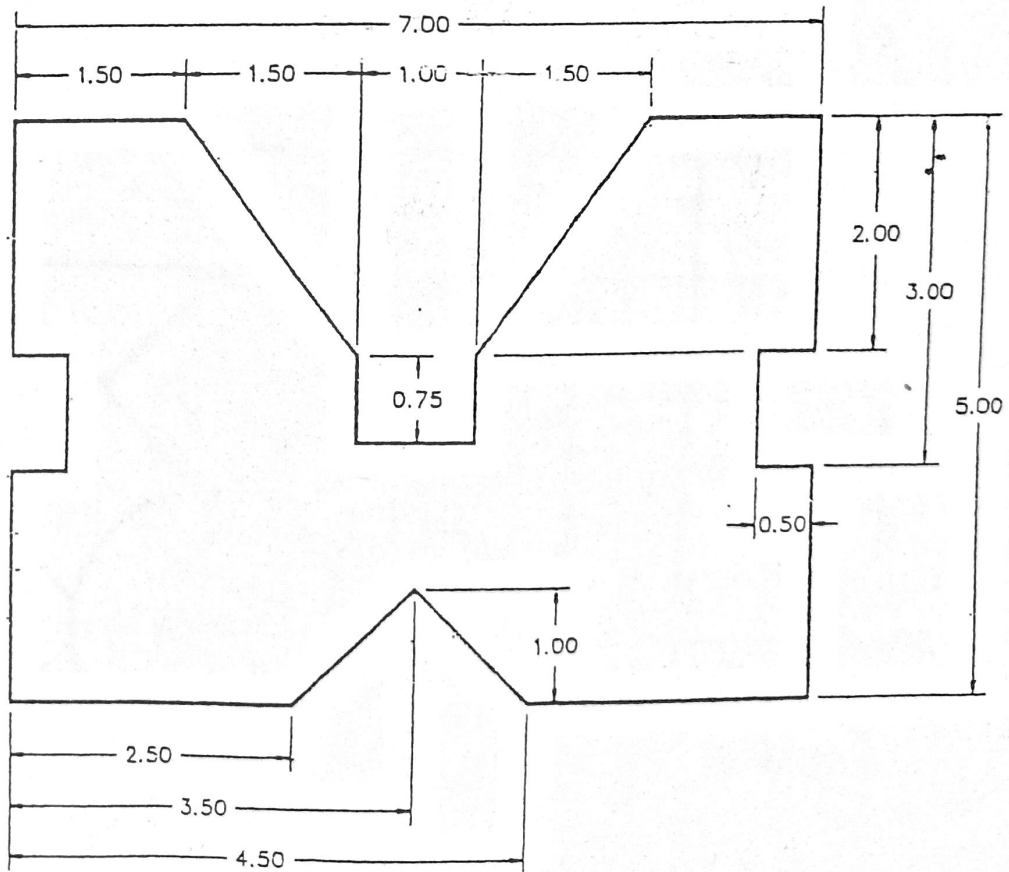


Problem 1-15

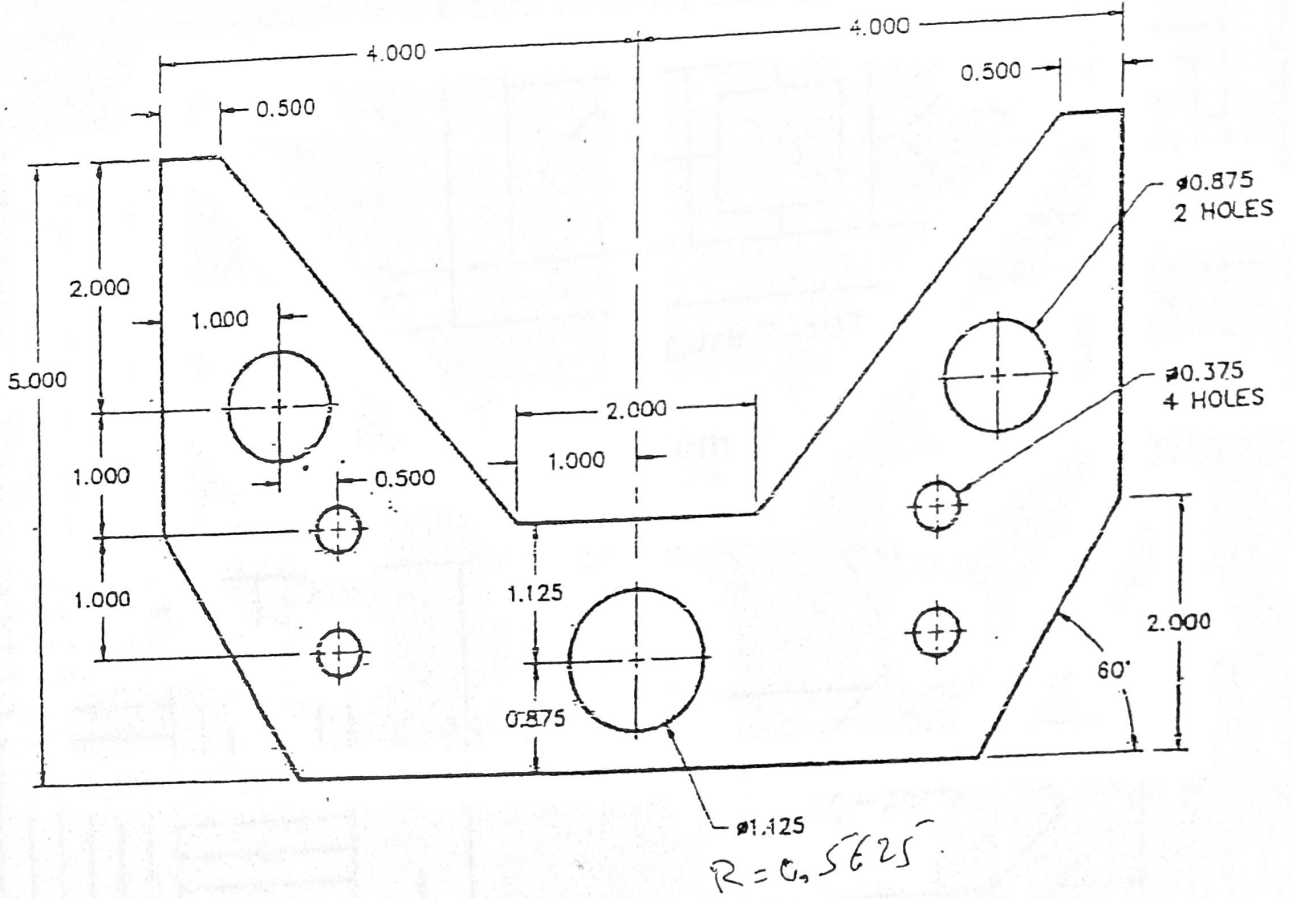


Problem 1-16

*H.W.*



2-1



2-2

