

Figure 6-125

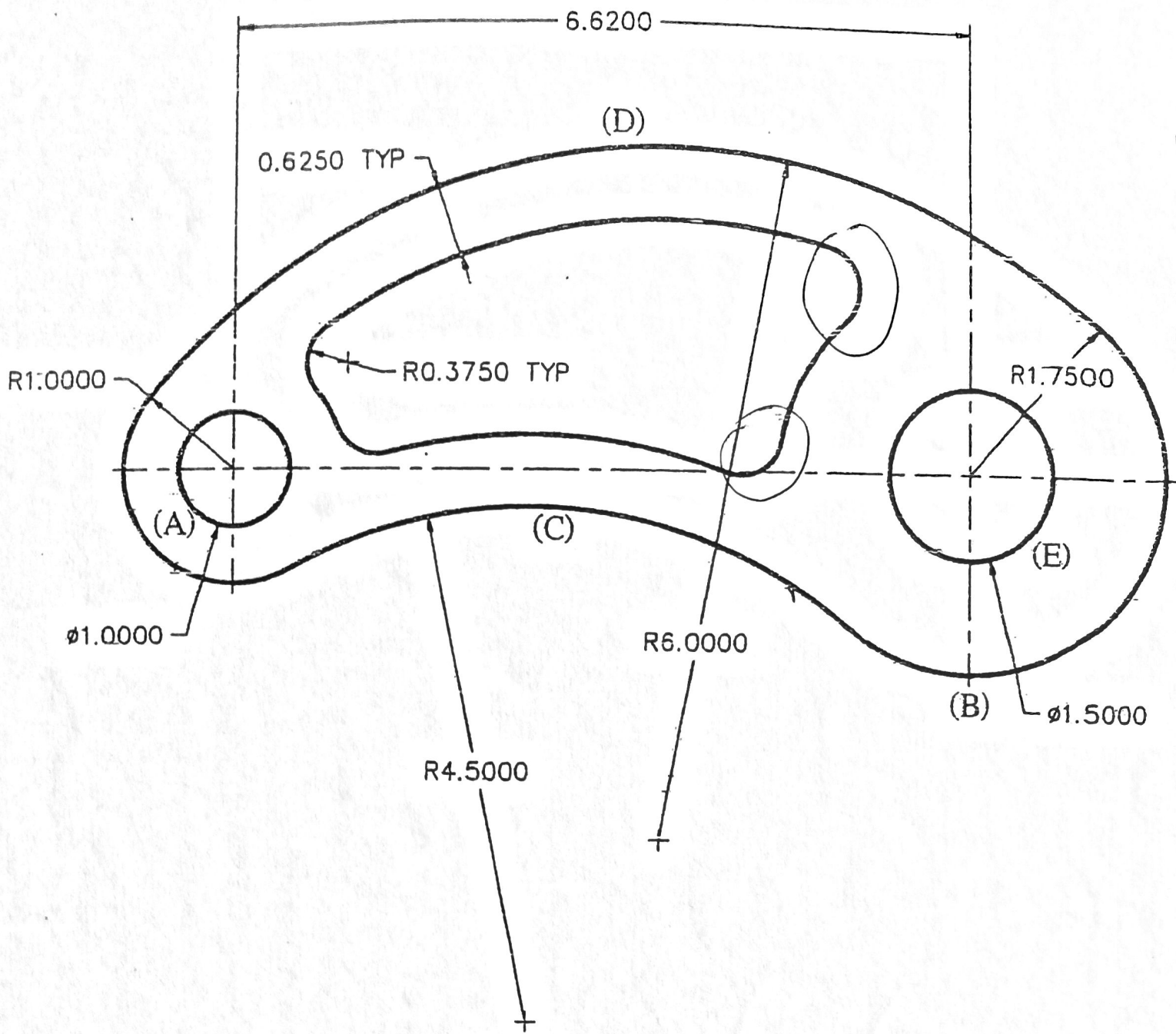


Figure 6-130