

Modify Dimension Style: dim100 Plan



- Lines
- Symbols and Arrows
- Text**
- Fit
- Primary Units
- Alternate Units
- Tolerances

Text appearance

Text style: THIN

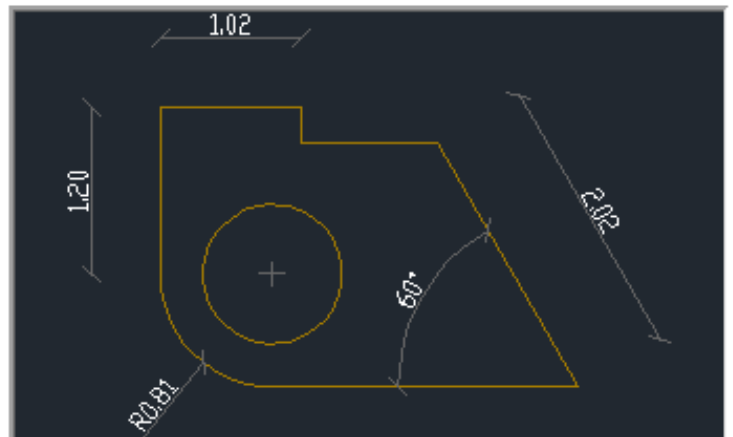
Text color: White

Fill color: None

Text height: 0.135

Fraction height scale: 1.000

Draw frame around text



Text placement

Vertical: Above

Horizontal: Centered

View Direction: Left-to-Right

Offset from dim line: 0.030

Text alignment

Horizontal

Aligned with dimension line

ISO standard

OK

Cancel

Help

Modify Dimension Style: dim100 Plan

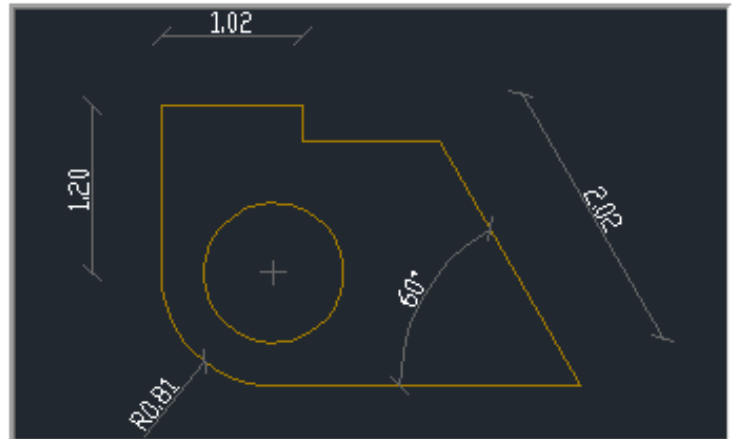


- Lines
- Symbols and Arrows
- Text
- Fit
- Primary Units
- Alternate Units
- Tolerances

Fit options

If there isn't enough room to place both text and arrows inside extension lines, the first thing to move outside the extension lines is:

- Either text or arrows (best fit)
- Arrows
- Text
- Both text and arrows
- Always keep text between ext lines
- Suppress arrows if they don't fit inside extension lines



Text placement

When text is not in the default position, place it

- Beside the dimension line
- Over dimension line, with leader
- Over dimension line, with arrow

Scale for dimension features

- Annotative
- Scale dimensions to layout
- Use overall scale of: 1.000

Fine tuning

- Place text manually

If selected, moves the dimension line whenever dimension text is moved. (DIMTMOVE system variable)

OK

Cancel

Help

A Modify Dimension Style: dim100 Plan



Lines Symbols and Arrows Text Fit Primary Units Alternate Units Tolerances

Linear dimensions

Unit format: Decimal

Precision: 0.00

Fraction format: Horizontal

Decimal separator: '.' (Period)

Round off: 0.005

Prefix:

Suffix:

Measurement scale

Scale factor: 1.000

Apply to layout dimensions only

Zero suppression

Leading Trailing

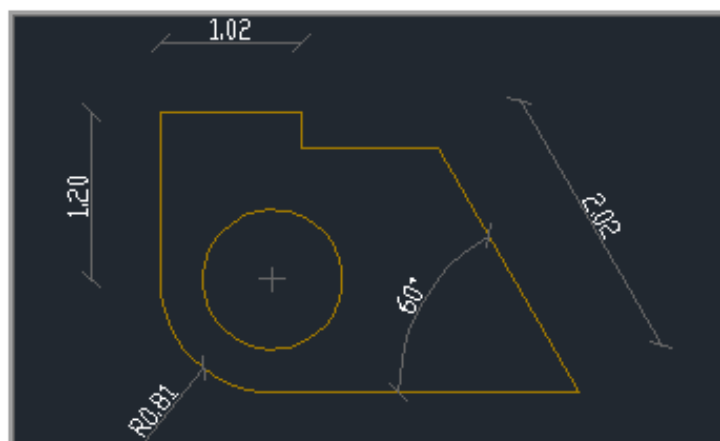
Sub-units factor:

100.000

0 feet

0 inches

Sub-unit suffix:



Angular dimensions

Units format: Decimal Degrees

Precision: 0

Zero suppression

Leading

Trailing

OK

Cancel

Help

Modify Dimension Style: dim100 Plan



- Lines
- Symbols and Arrows
- Text
- Fit
- Primary Units
- Alternate Units
- Tolerances

Tolerance format

Method:

Precision:

Upper value:

Lower value:

Scaling for height:

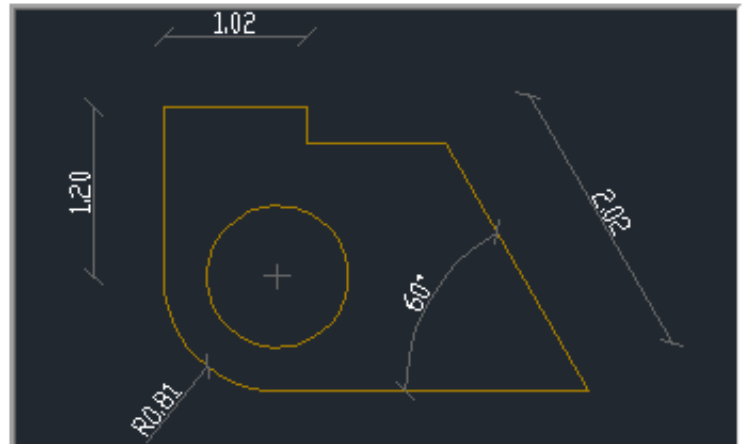
Vertical position:

Tolerance alignment

- Align decimal separators
- Align operational symbols

Zero suppression

- Leading 0 feet
- Trailing 0 inches



Alternate unit tolerance

Precision:

Zero suppression

- Leading 0 feet
- Trailing 0 inches

OK

Cancel

Help

A Modify Dimension Style: kasem



- Lines
- Symbols and Arrows
- Text
- Fit
- Primary Units
- Alternate Units
- Tolerances

Dimension lines

Color: Yellow

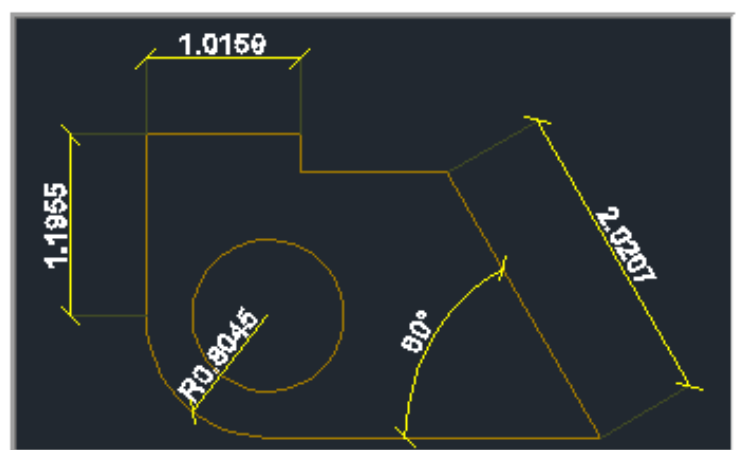
Linetype: ByBlock

Lineweight: ByBlock

Extend beyond ticks:

Baseline spacing:

Suppress: Dim line 1 Dim line 2



Extension lines

Color: Color 67

Linetype ext line 1: ByBlock

Linetype ext line 2: ByBlock

Lineweight: ByBlock

Suppress: Ext line 1 Ext line 2

Extend beyond dim lines:

Offset from origin:

Fixed length extension lines

Length:

OK

Cancel

Help