

Chapter 4

Basic Nodal and Mesh Analysis

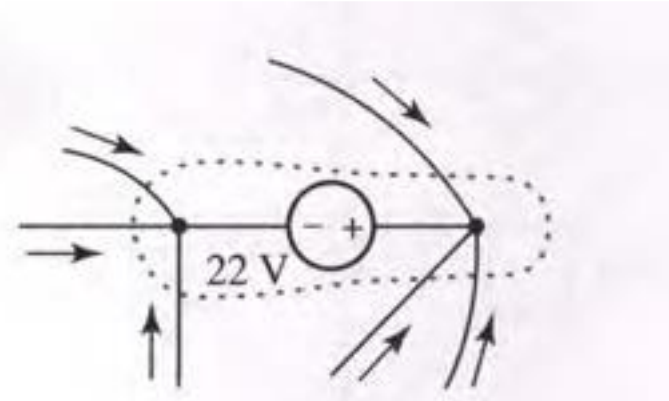
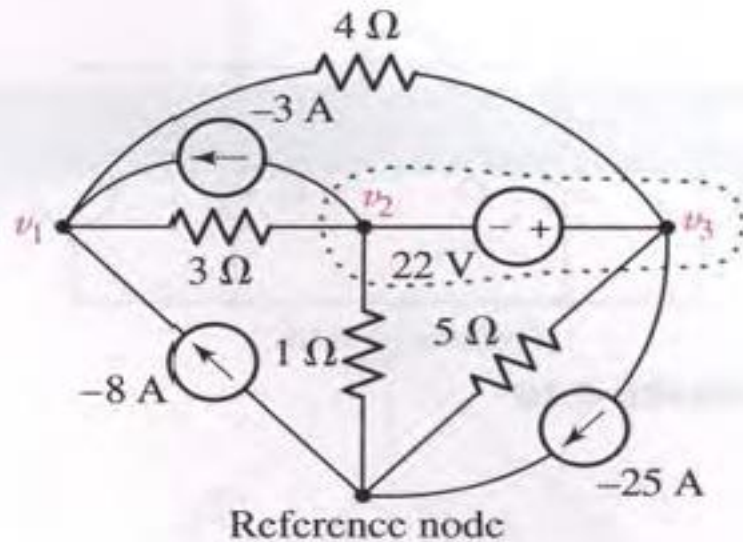
THE SUPERNODE

Super node is a case in which a voltage source comes between two nodes none of them Reference

Each super node gives two equations

One equation by relating the nodal voltages to the value of the voltage source

Another equation by applying KCL at the two nodes connecting the voltage source in the same equation



Determine the value of the unknown node voltage v_1 in the circuit

The KCL equation at node 1

$$-8 - 3 = \frac{v_1 - v_2}{3} + \frac{v_1 - v_3}{4}$$

$$0.5833v_1 - 0.3333v_2 - 0.2500v_3 = -11$$

KCL at super node 2+3

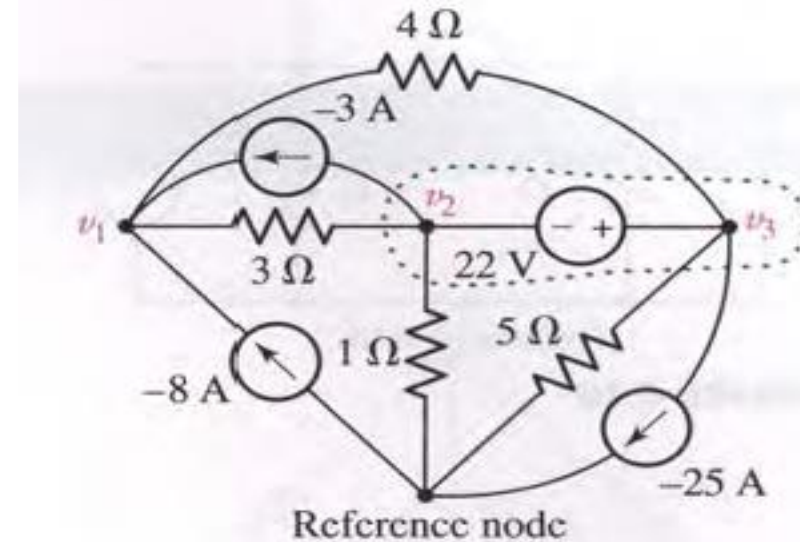
$$3 + 25 = \frac{v_2 - v_1}{3} + \frac{v_3 - v_1}{4} + \frac{v_3}{5} + \frac{v_2}{1}$$

$$-0.5833v_1 + 1.3333v_2 + 0.45v_3 = 28$$

$$v_2 - v_3 = -22$$

Solving equations we get

$$v_1 \text{ is } 1.071 \text{ V.}$$



Determine the node-to-reference voltages in the circuit

$$v_1 = -12 \text{ V.}$$

At node 2,

$$\frac{v_2 - v_1}{0.5} + \frac{v_2 - v_3}{2} = 14$$

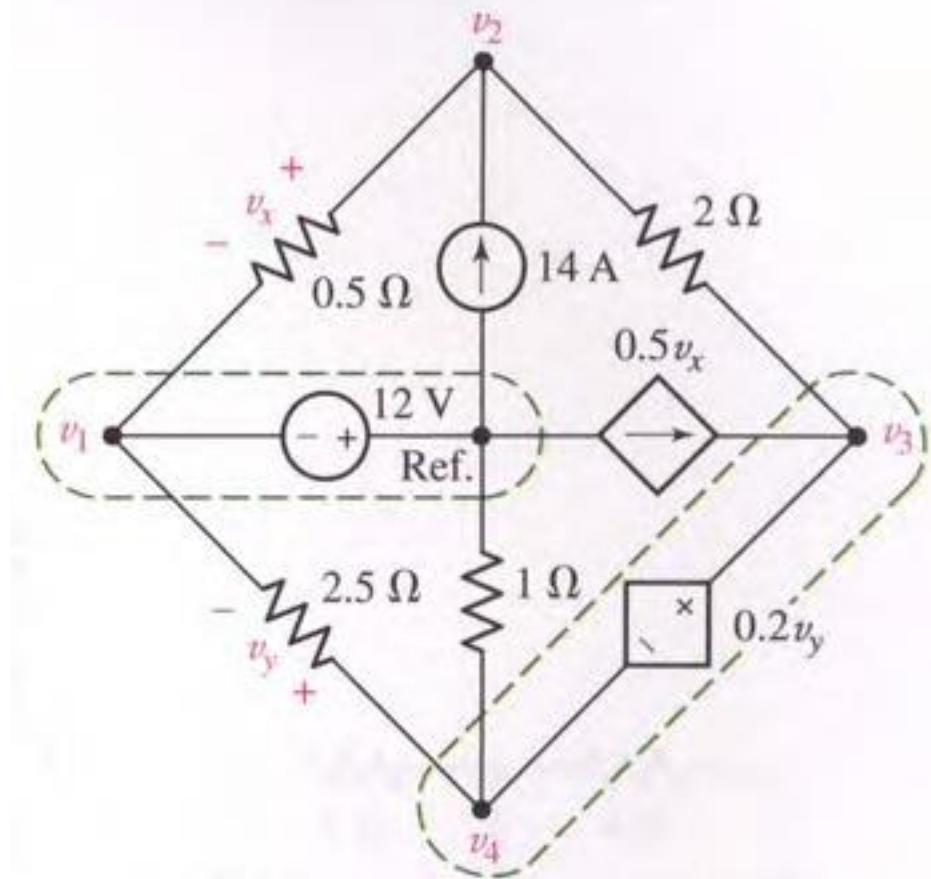
the 3-4 supernode,

$$0.5v_x = \frac{v_3 - v_2}{2} + \frac{v_4}{1} + \frac{v_4 - v_1}{2.5}$$

$$v_3 - v_4 = 0.2v_y$$

$$0.2v_y = 0.2(v_4 - v_1)$$

$$0.5v_x = 0.5(v_2 - v_1)$$



$$-2v_1 + 2.5v_2 - 0.5v_3 = 14$$

$$0.1v_1 - v_2 + 0.5v_3 + 1.4v_4 = 0$$

$$v_1 = -12$$

$$0.2v_1 + v_3 - 1.2v_4 = 0$$

Solving, $v_1 = -12$ V, $v_2 = -4$ V, $v_3 = 0$ V, and $v_4 = -2$ V.

Find nodal voltages v_1 and v_2

From super node

$$V_1 - V_2 = E = 12 \text{ V}$$

KVL at super node

$$\frac{V_1}{4} + \frac{V_1 - V_2}{10} + \frac{V_2}{2} + \frac{V_2 - V_1}{10} + 4 = 6$$

$$\frac{V_1}{4} + \frac{V_2}{2} = 2$$

$$V_1 + 2V_2 = 8$$

$$12 + V_2 + 2V_2 = 8$$

$$3V_2 = -4$$

$$V_2 = \frac{-4}{3} = -1.333 \text{ volt}$$

$$V_1 = 12 + V_2 = 12 - 1.333 = 10.667 \text{ volt}$$

